

PRODUCT DATASHEET

DULUX T PLUS 26 W/840

OSRAM DULUX T PLUS | CFLni, 3 tubes, with 2-pin base for CCG operation



AREAS OF APPLICATION

- Offices, public buildings
- Shops
- Supermarkets and department stores
- Hotels, restaurants
- Industrial lighting

PRODUCT BENEFITS

- Very economical
- Good quality of light
- Excellent luminous flux
- Long service life
- Improved maintenance

PRODUCT FEATURES

- Average life: 10,000 h
- Color rendering index $R_a \geq 80$
- Short and compact pin-base lamp with triple-turn tubes
- Single-ended two-pin plug-in GX24d base



TECHNICAL DATA

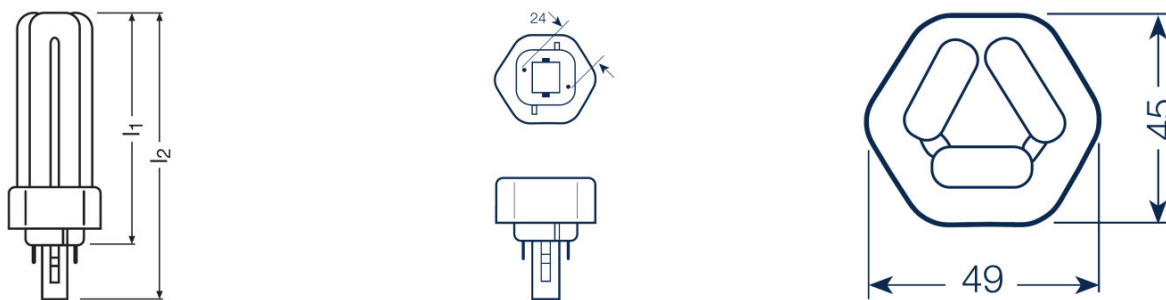
Electrical data

Nominal voltage	105 V
Rated wattage	27.90 W
Nominal wattage	26.00 W

Photometrical data

Nominal luminous flux	1800 lm
Luminous flux at 25 °C	1800 lm
Rated luminous flux	1800 lm
Rated color temperature	4000 K
Color rendering index Ra	≥80
Rated LLMF at 2,000 h	0.85
Rated LLMF at 4,000 h	0.78
Rated LLMF at 6,000 h	0.76
Rated LLMF at 8,000 h	0.75
Light color (designation)	LUMILUX Cool White
Color temperature	4000 K
Luminous flux	1800 lm
Color rendering index Ra	≥80

Dimensions & weight



Diameter	12.0 mm
Overall length	138.5 mm
Length	139.0 mm
Length acc. to IEC standard	130 mm
Length with base excl. base pins/connection	116.00 mm
Outer bulb	T12X3
Maximum diameter	12.0 mm

Lifespan

Nominal lamp life time	10000 h
Rated lamp life time	10000 h
Service life	6500 h
Rated lamp survival factor at 2,000 h	0.99
Rated lamp survival factor at 4,000 h	0.99
Rated lamp survival factor at 6,000 h	0.95
Rated lamp survival factor at 8,000 h	0.81
Operation mode LLMF/LSF	50 Hz
Lifespan	10000 h ¹⁾

¹⁾ With CCG/LLCG

Additional product data

Base (standard designation)	GX24d-3
Mercury content	2.0 mg

Capabilities

Dimmable	No
----------	----

Certificates & standards

Energy consumption	32 kWh/1000h
Energy efficiency class	G

Country-specific categorizations

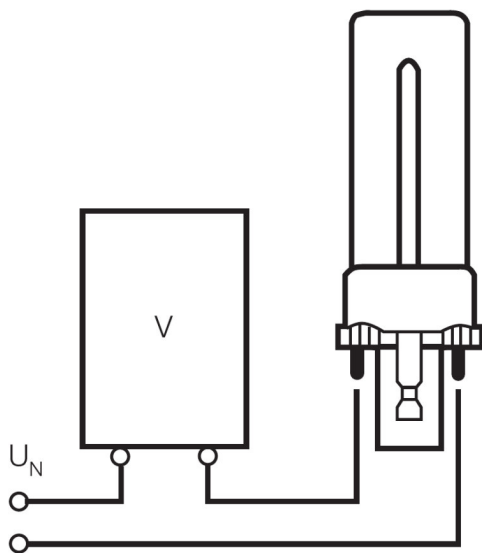
ILCOS	FSM-26/840-I-G2X4d-3
-------	----------------------

Light Distribution



Spectral power distribution

Wiring Diagram



Wiring diagram

EQUIPMENT / ACCESSORIES

- Suitable for operation on conventional control gear
- Suitable for 0.22 A control gear only (DULUX T 18 W PLUS)

SAFETY ADVICE

In case of lamp breakage: www.ledvance.com/brokenlamp

LOGISTICAL DATA

Product code	Packaging unit (Pieces/Unit)	Dimensions (length x width x height)	Gross weight	Volume
4050300342047	Folding carton box 1	144 mm x 46 mm x 49 mm	77.00 g	0.32 dm ³
4050300342054	Shipping carton box 10	240 mm x 155 mm x 125 mm	907.00 g	4.65 dm ³

The mentioned product code describes the smallest quantity unit which can be ordered. One shipping unit can contain one or more single products. When placing an order, for the quantity please enter single or multiples of a shipping unit.

DISCLAIMER

Subject to change without notice. Errors and omission excepted. Always make sure to use the most recent release.